

NEW

Description

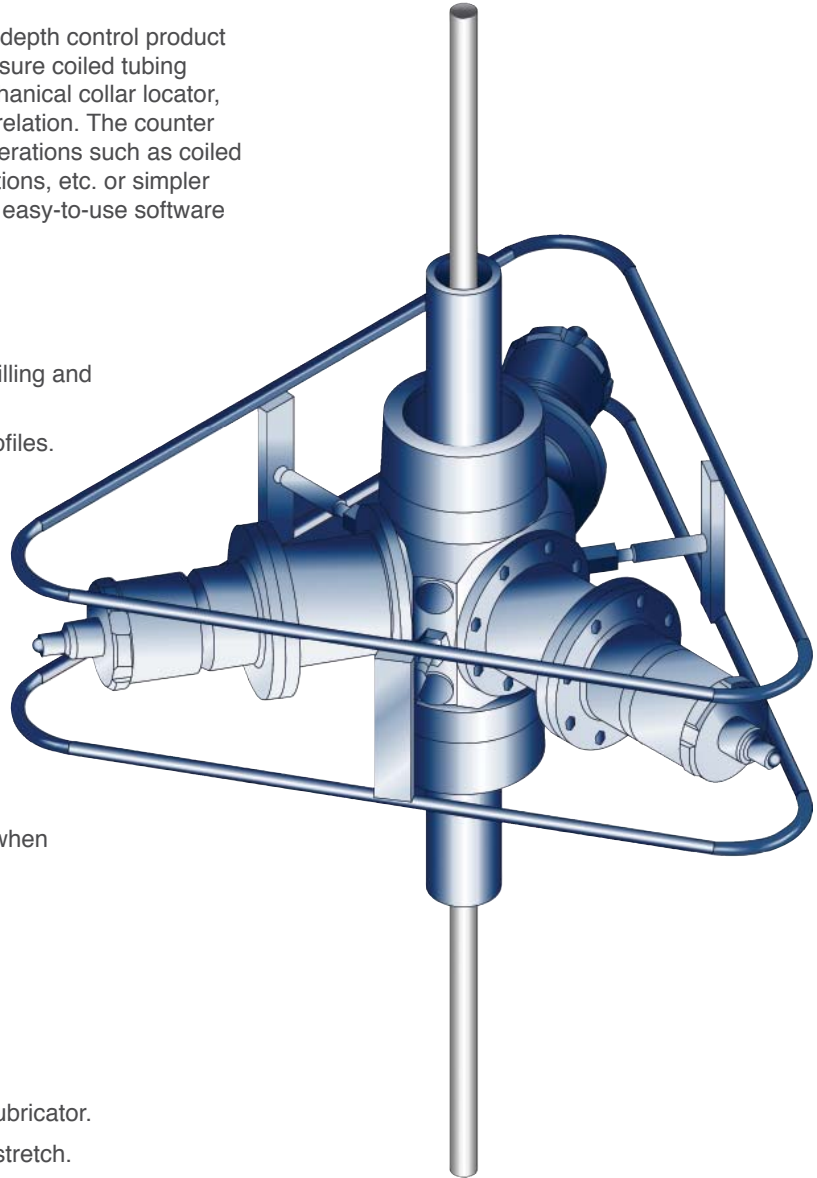
The SelectRite™ Coiled Tubing Counter is a unique depth control product that is run below the injector head to accurately measure coiled tubing lengths and depths in a well. When used with a mechanical collar locator, the SelectRite™ eliminates the need for wireline correlation. The counter can be used for performing a variety of downhole operations such as coiled tubing conveyed perforating, fishing, drilling, stimulations, etc. or simpler tasks, such as transferring coil from reel to reel. The easy-to-use software provides real-time depth logs.

Applications

- Coiled tubing completions, stimulations, fishing, drilling and workovers.
- Depth correlation of packers or other downhole profiles.
- Accurate placement of instrumentation strings for well monitoring.
- Transferring coiled tubing from reel to reel.
- Coiled tubing perforating.

Features & Benefits

- Measuring tubing length for pipeline future development.
- Accuracy is not affected by coil running speed.
- Eliminates the need for wireline depth correlation when running coiled tubing.
- Plug-and-play components.
- Currently designed for 3/4" thru 2" coiled tubing.
- Intrinsically safe.
- Wireless data transfer.
- Printed depth logs for record keeping.
- Quick connections for quick and easy hook up to lubricator.
- Placed directly below injector head to account for stretch.
- Available in standard flange.



Specifications

Coiled Tubing Sizes (in. / mm)	Connections		PSI (MPa)
	Hammer Unions (in. / mm)	Bowen Connection (in. / mm)	
.75 – 2 (19.05 - 50.8)	3.5 (88.9)	3.5 (88.9)	5000 (34) (Max)
	4.5 (114.3)	4.5 (114.3)	
	5.5 (139.7)	5.5 (139.7)	